



QUALITY FASTENERS™

MF SERIES

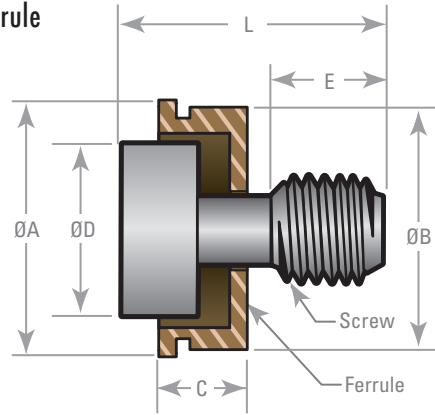


FLUSH MOUNT CAPTIVE SCREWS

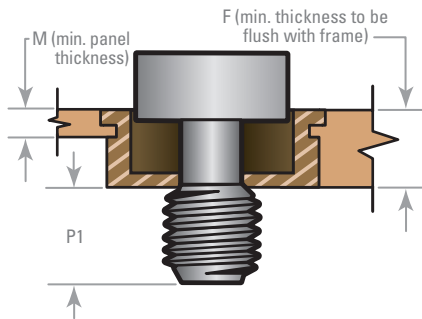
- Provide flush condition when fastened
- Available in multiple drive types
- Screw cannot be removed from ferrule

Drive Recess Code

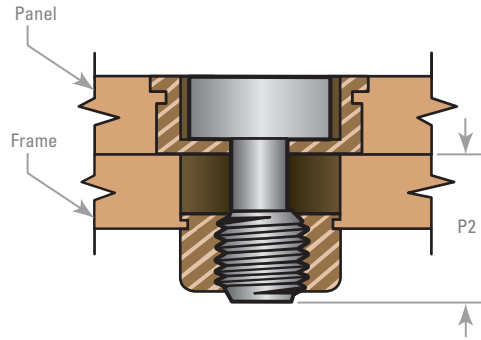
- P: Phillips
- S: Slotted
- C: Combo, Phillips/Slot
- T: Six-Lobe
- E: Combo, Six-Lobe/Slot
- H: Hex



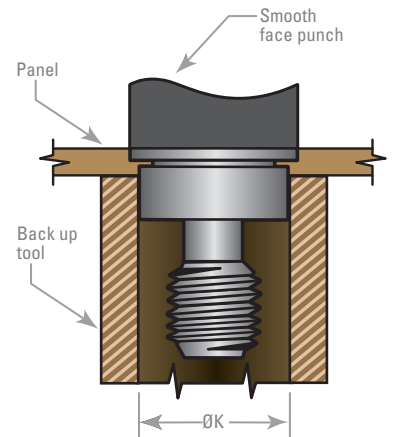
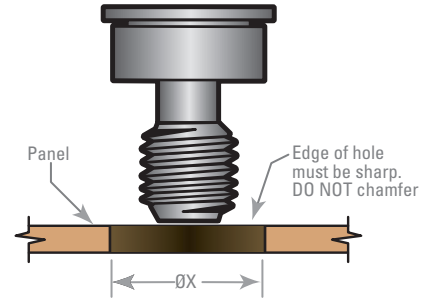
Unfastened



Fastened



Installation



For installations in most aluminums or low carbon steels that are 1/4 hard or softer

THREAD SIZE	SCREW DIMENSIONS								ASSEMBLY PART NUMBER		INSTALLATION DATA								
	Ø A	Ø B	C		Ø D	Ø E		SCREW LENGTH L		TO COMPLETE PART NUMBER IN () BELOW, SELECT CODE DRIVE RECESS		Ø X +0.08/-0.00 (+0.003/-0.000)	M	F		P1		P2	Ø K +0.1/-0.05 (+0.004/-0.002)
			SLOTTED DRIVE	OTHER DRIVES		SLOTTED DRIVE	OTHER DRIVES	SLOTTED DRIVE	OTHER DRIVES	METRIC	UNIFIED			SLOTTED DRIVE	OTHER DRIVES	SLOTTED DRIVE	OTHER DRIVES		
4-40 & M3	7.1 (.28)	6.45 (.254)	1.7 (.07)	2.3 (.09)	4.0 (.16)	3.8 (.15)	3.8 (.15)	5.8 (.23)	6.4 (.25)	MFP-M3 (DRIVE) 2	MFP-04 (DRIVE) 2	6.5 (.256)	1.3 (.050)	1.8 (.070)	2.4 (.095)	3.8 (.15)	3.8 (.15)	4.1 (.16)	6.6 (.260)
								6.9 (.27)	7.4 (.29)	MFP-M3 (DRIVE) 4	MFP-04 (DRIVE) 4							5.1 (.20)	
								7.9 (.31)	8.4 (.33)	MFP-M3 (DRIVE) 6	MFP-04 (DRIVE) 6							6.1 (.24)	
								8.9 (.35)	9.4 (.37)	MFP-M3 (DRIVE) 8	MFP-04 (DRIVE) 8							7.1 (.28)	
6-32	8.1 (.32)	7.44 (.293)	2.0 (.08)	2.5 (.10)	4.8 (.19)	3.8 (.15)	3.8 (.15)	6.4 (.25)	6.9 (.27)	—	MFP-06 (DRIVE) 2	7.5 (.295)	1.4 (.055)	2.2 (.085)	2.7 (.105)	3.8 (.15)	3.8 (.15)	4.3 (.17)	7.6 (.299)
								8.4 (.33)	8.9 (.35)	—	MFP-06 (DRIVE) 6							6.4 (.25)	
								9.4 (.37)	10.9 (.43)	—	MFP-06 (DRIVE) 8							7.4 (.29)	
8-32 & M4	10.1 (.40)	9.47 (.373)	2.3 (.09)	3.1 (.122)	6.4 (.25)	5.1 (.20)	4.3 (.17)	8.1 (.32)	8.6 (.34)	MFP-M4 (DRIVE) 2	MFP-08 (DRIVE) 2	9.5 (.375)	1.5 (.060)	2.4 (.095)	3.2 (.125)	5.1 (.20)	4.3 (.17)	5.6 (.22)	9.6 (.379)
								8.9 (.35)	9.6 (.38)	MFP-M4 (DRIVE) 4	MFP-08 (DRIVE) 4							6.6 (.26)	
								9.9 (.39)	10.6 (.42)	MFP-M4 (DRIVE) 6	MFP-08 (DRIVE) 6							7.6 (.30)	
								10.9 (.43)	11.6 (.46)	MFP-M4 (DRIVE) 8	MFP-08 (DRIVE) 8							8.6 (.34)	

Contact Matdan for special threads, drive recesses, materials, screw lengths and finishes.

Material and Finish

- Ferrule: 303 Stainless Steel passivated
- Screw: Slotted - 303 Stainless Steel, passivated
- Other drives - 430 Stainless Steel, passivated



Standard Products	Installation Styles				Replaces Southco®	Replaces PEM®
	Press-In	Flare-In	Floating	PC Board		
MC Series Retractable Captive Screws	MCP	MCF	MCL	MCB	47	PF11 PF12 PF13 PF14
MP Series Retractable Captive Screws	MPP	MPF	MPL	MPB	–	PF30 PF31 PF32 PF50 PF60
MM Series "Low Head" Miniature Retractable Screws	MMP	MMF	MML	MMB	52	PFS2 PFC2
MS Series "High Head" Miniature Retractable Screws	MSP	MSF	MSL	MSB	52	–
MF Series Flush Mount Captive Screws	√	–	–	–	F5	PF10
Spring Loaded Plungers	√	√	–	√	56	PTL2
MFL Product Series "Speed Lead" Captive Screws					09 12 17	–
SLS "Speed Latch" System					–	–
MTS Series "Snap-In" Captive Screws					–	–
Q Series Quarter-Turn Fasteners & Receptacles					81 82 85	–
MSI Series Threaded Inserts					71 72	–
BCS Series Knurled Captive Screws					58	–

®Southco is a registered trademark of Southco, Inc. PF11, PF12, PF13, PF14, PF30, PF31, PF32, PF50, PF60, PFC, PFC2 & ®PEM are trademarks of Penn Engineering & Manufacturing Corp.

<p>Headquarters: Matdan Corporation Cincinnati, Ohio 45242, USA Tel: 513 - 794 - 0500 Fax: 513 - 794 - 0651 E-mail: sales@matdanfasteners.com</p>	<p>China Division: Matdan (Ningbo) Specialty Hardware Co., Ltd. Ningbo, Zhejiang Province, China 315120 E-mail: sales_cn@matdanfasteners.com</p>
<p>www.matdanfasteners.com</p>	

Matdan, matdanfasteners.com and the Matdan logo are trademarks of the Matdan Corporation. Use allowed only with written permission from Matdan. The contents of this publication are copyrighted 2007 Matdan Corporation. All rights reserved. Copies may be obtained from the company. Published specifications are subject to change without notice.

For ordering information call 513-794-0500 or E-mail: sales@matdanfasteners.com
Published specifications are subject to change without notice. ©2007 Matdan Corporation. All rights reserved.